



Semi-Automatic Case Erector/ Pack Station

CE-563 Innovative Design!

- Folds the minor and major flaps and holds the case steady while packing.
- Adjustable leg supports.
- Improve safety by eliminating costly repetitive strain injury problems.
- Improve productivity and eliminate extra labor.
- Advances cases after packing.
- Can be attached to any top and bottom sealer!

Visit www.absealer.com, click on Case Erectors and see for yourself how easy the CE-563 is to operate!

Case Sizes:

Length: 6" Minimum – 27" Maximum

Width: 6" Minimum – 15.5" Maximum

Height: 4" Minimum – No Maximum

90 PSI Air

No Electrical Needed

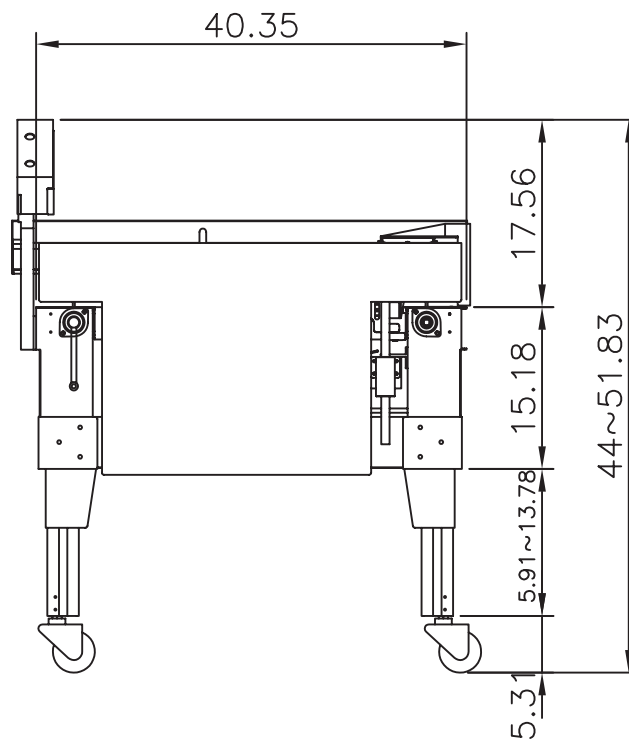
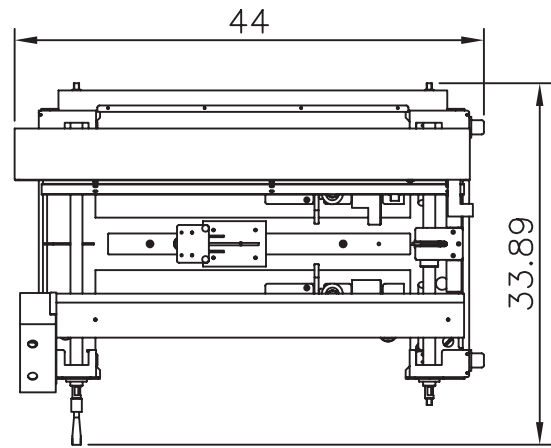
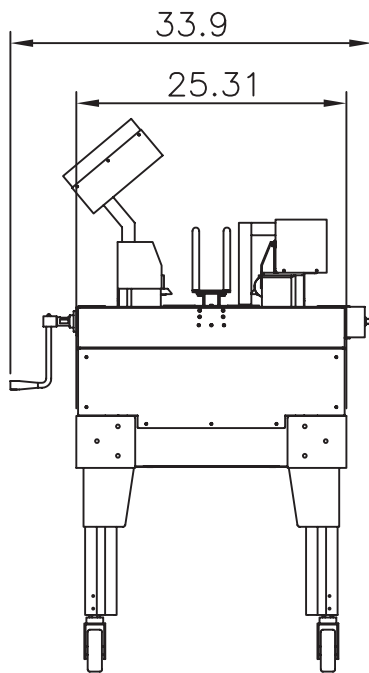


P.O. BOX 635 • N7212 FARWELL ROAD • BEAVER DAM, WI 53916

PHONE: 877-885-9299 • FAX: 920-885-0288 • SALES@ABSEALER.COM • WWW.ABSEALER.COM

CE-563 SEMI-AUTO CASE ERECTOR/ PACK STATION

	L	W	H
FOLDING SIZE MAX:	27"	15.5"	30"
MIN:	6"	6"	4"



P.O. BOX 635 • N7212 FARWELL ROAD • BEAVER DAM, WI 53916
 PHONE: 877-885-9299 • FAX: 920-885-0288
 SALES@ABSEALER.COM • WWW.ABSEALER.COM